

Simple & Smart Operation



Powerhead

Functions



Soft-Touch key

Elongated stroke and soft rubber key ensure positive key actuations.



Powerhead

Ergonomic design and use of concave and convex surfaces ensures smooth workflow.

User Interface

Easy-to-see setup screen ensures Injection setting.

Console



Angio Mode setup screen



Trace Shot Mode setup screen



Angio Memory

Area	Flow Rate	Volume	Pressure	Delay	Ramp Up
1	5.0	50.0	800	50.0	9.9
2	9.0	30.0	800	50.0	9.9
3	6.0	30.0	1000	0.0	9.9
4	4.0	32.0	800	0.0	9.9
5	3.5	40.0	700	50.0	9.9
Set Value	3.5	40.0	700	50.0	9.9

Angio Results



Infusion Mode setup screen



Injection Progress screen



Powerhead Display

Remaining volume in the syringe can be checked from the side of the powerhead.



Syringe light

Illuminates the syringe tip and the gasket area, which helps to check for remaining air bubbles. During injection, it indicates the injecting status by flashing.

Specifications

Angio Mode

•Flow Rate	0.1~25.0mL/sec
• Volume	1~150mL
•Programming range	0.1~150mL
•Pressure Limit	50~1200 psi
•Delay Time	-99.9~ +99.9 sec
•Ramp up Time	0~9.9 sec

Infusion Mode

•Flow Rate	1~60mL/min
• Volume	1~150mL
•Pressure Limit	200 psi

Trace Shot Mode

•Flow Rate	0.1~3.0mL/min
• Volume	1~6.0mL
•Pressure Limit	300 psi

Syringe

150mL disposable syringe (exclusive for REMPRESS)	
•Ramp up Time	0~9.9sec
•Pressure Limiter	50~1200psi
•Delay time for Injection	99.9sec
•Mechanical stopper	Auto setting
•Syringe Heater	Fixed type
•Voltage	100 - 240 V AC
•Frequency	50/60Hz
•Power Input	900VA

Option

- Catheter Stand Type
- Ceiling System
- Separate type

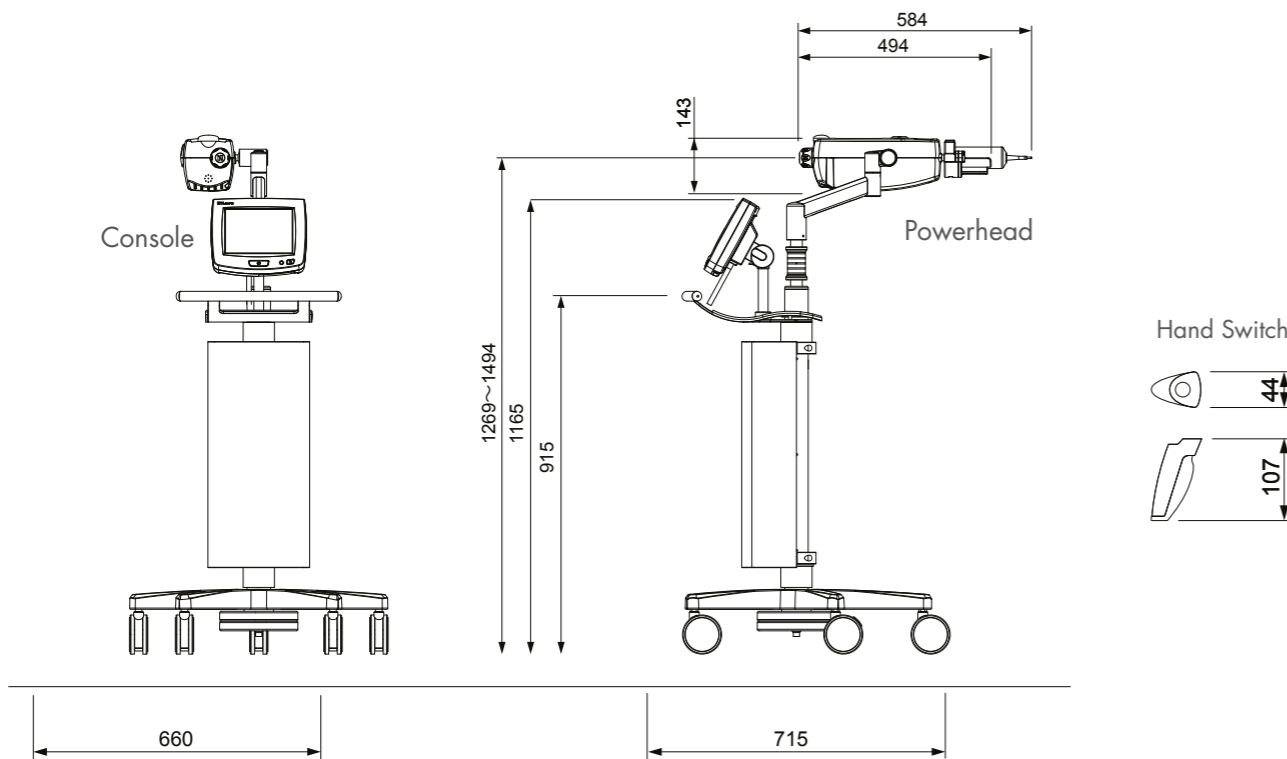


Exclusive hand switch



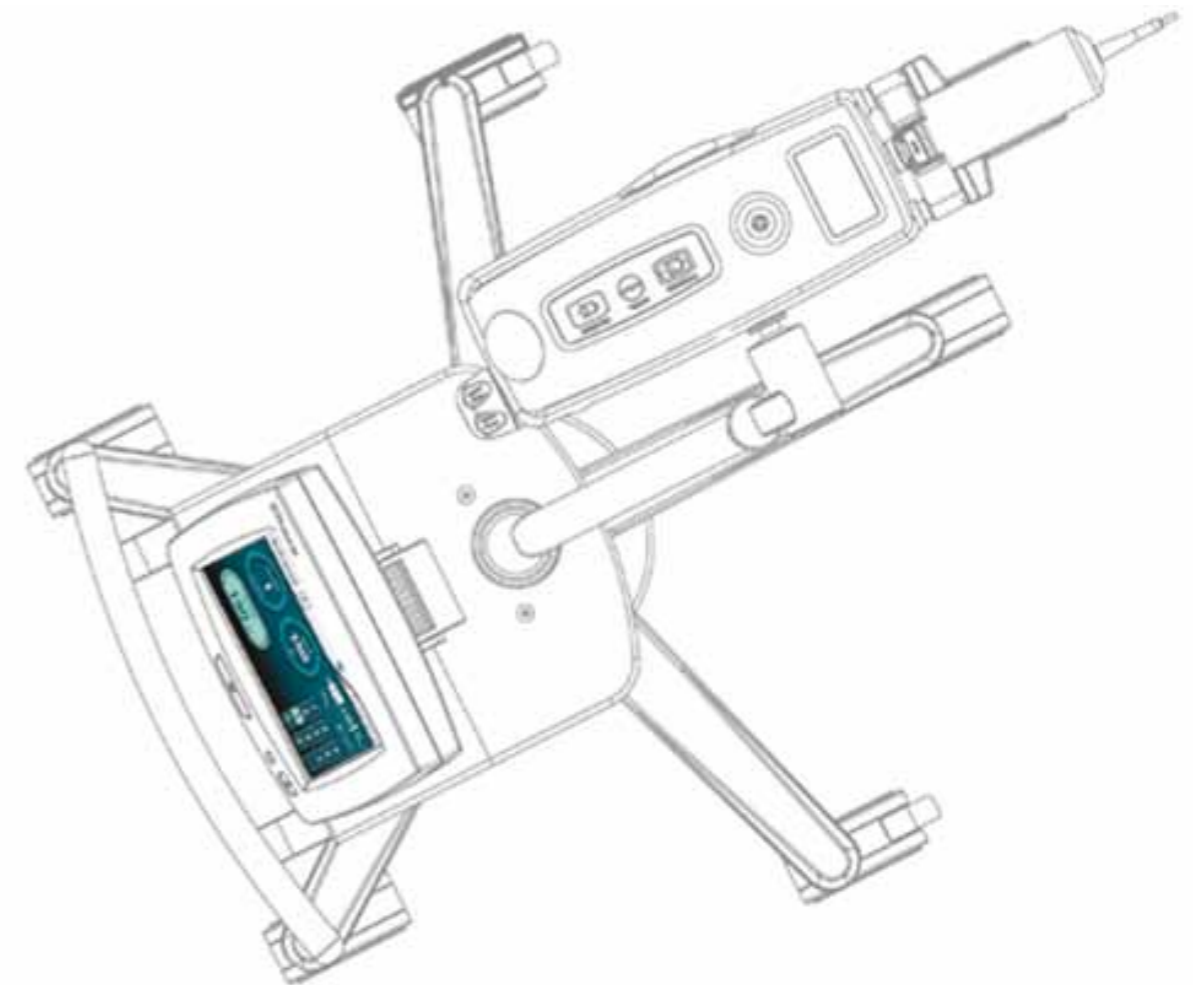
Exclusive foot switch

System configuration (Pedestal type)



High Performance Angiography Injector
Angiography Contrast Delivery System REMPRESS

Rempress



The specifications of this pamphlet are as of April in 2009.
© Nemoto Kyorindo Co., Ltd. 2009 All rights reserved. CE 0197